



Loading Bellow

Tanker and open truck loading bellows are used to fill tankers and trucks with bulk solids while preventing any dust. Bulk materials coming from silo or screw feeder pass through the loading bellow. The retractable loading bellows make the system flexible for different sizes of trucks.

Tanker Loading Bellow

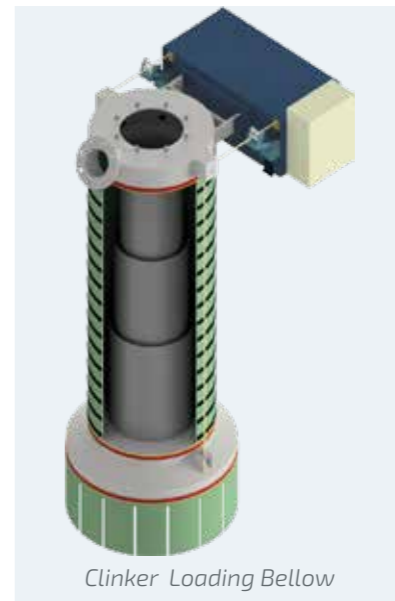
Tanker loading bellows provide dust free loading of tankers and bulk trucks. Bellow head is placed on tanker inlet. Valve above the bellow is opened and powdered material begin to flow. The double walled bellow prevents any dust leakage. Optional dust collector system is used to collect any remaining dusts in the environment.

Open Truck Loading Bellow

Open truck loading bellows provide dust free loading of open trucks. Bellow is placed above the truck basement. Valve above the bellow is opened and powdered material begin to flow. The bellow automatically raises when the bottom side begin to raise. The double walled bellow prevents any dust leakage. Optional dust collector system is used to collect any remaining dusts in the environment.

Ship Loading Bellow

Ship loading bellows provide dust free loading of ships. Bellow is placed above the ship basement. Valve above the bellow is opened and powdered material begin to flow. The bellow automatically raises when the bottom side begin to raise. The double walled bellow prevents any dust leakage. Optional dust collector system is used to collect any remaining dusts in the environment.



Clinker Loading Bellow

